

If this form was completed by a business with fewer than 20 employees, please provide an estimate of the time taken to complete this form.

Hours:

Minutes:

APPLICATION FOR A TARIFF CONCESSION ORDER (TCO)

The form should be read carefully before being completed

- (a) Before lodging an application for a TCO, the applicant should determine whether a suitable TCO already exists. Information on existing TCOs is contained in the schedule of Concessional Instruments (SCI), a copy of which is available at each Regional Office of Customs. A TCO can be used by any importer.
- (b) An application will be date stamped on the day it is first received in Canberra by an officer of Customs. Receipt of an application will be acknowledged. Any resultant TCO will operate from the date of receipt. Instructions on how to lodge this form are provided at the end of this form.
- (c) Where an application is accepted as being a valid application, the identity of the applicant and of the Importer for whom the applicant is acting will be published in the Gazette.
- (d) Section 269F of the Customs Act 1901 requires that a TCO application to be in writing, be in an "approved form", contain such information as the form requires, and be signed in the manner indicated in the form. This is the approved form for the purposes of that section.
- (e) Section 269FA of the Customs Act 1901 states "It is the responsibility of an applicant for a TCO to establish, to the satisfaction of the Chief Executive Officer (CEO), that, on the basis of:
- (i) all information that the applicant has, or can reasonably be expected to have; and
 - (ii) all inquiries that the applicant has made, or can reasonably be expected to make;
- there are reasonable grounds for asserting that the application meets the core criteria".
- The application is taken to meet the core criteria if, on the day of lodgement of the application, no substitutable goods were produced in Australia in the ordinary course of business.
- (f) Every question on the form must be answered. Failure to supply the information required by this form will result in rejection of the application (and in the loss of operative date).
- (g) Where the form provides insufficient space to answer a question, an answer may be provided in an attachment. The attachment should clearly identify the question to which it relates.
- (h) All information about inquiries into the production of substitutable goods must relate to the date the application is lodged with Customs.
- (i) Customs may require an applicant to substantiate, with documentary evidence, any information provided in the application form.
- (j) Further information on the Tariff Concession System is available in Part XVA of the Customs Act 1901, in the foreword to the Schedule of Concessional Instruments, in the administrative guidelines in Volume 13 of the Australian Customs Service Manual, in Australian Customs Notice No. 98/19, on the internet at www.customs.gov.au, by e-mailing information@customs.gov.au or by phoning the Customs Information Centre 1300 363 263.

APPLICANT DETAILS (An agent/broker should provide details on the next page)

Applicant's Name Tytronics Development Australia Pty Ltd		Australian Business Number (A.B.N.) 65 003 608 580	
Postal Address 13 Circuit Drive Henden SA 5014			
Applicant's Reference Controllers / heater		Owner Code (if applicable)	
Company Contact s47F		Position Held Consultant	
Telephone Number s47F	Facsimile Number 03 9330 1993	E-mail Address s47F@tradewin.net	

If you do not intend to use the TCO to import into Australia the goods the subject of the application, you must provide, in the section below, the identity of the importer for whom you are acting (refer to paragraph 269F(3)(c) of the Customs Act 1901).

IMPORTER DETAILS

Importer's Name (If same as applicant, write "as above") As Above		A.B.N.	
Postal Address			
Importer's Reference		Owner Code	
Company Contact		Position Held	
Telephone Number		Facsimile Number	

AGENT/BROKER DETAILS (if applicable)

Agent's Name Trade Name: C/- Expeditors International	A.B.N. 79 003 337 282
Postal Address P.O. Box 1026 Tullamarine Vic 3043	
Agent's Reference Controllers heater	Agency Contact s47F
Telephone Number s47F	Facsimile Number 03 9330 1993

DESCRIPTION OF GOODS

- (a) The description of the goods in the application will be used as the description of the goods in the TCO (if made).
- (b) The application should provide a full description of the goods, including the physical features of the goods or the various components of the goods. It should not describe the goods in terms of what they do.
- (c) In accordance with section 269SJ of the Customs Act 1901, the CEO must not make a TCO in respect of goods:
- described in terms other than in generic terms; or
 - described in terms of their intended end use; or
 - declared by the regulations to be goods to which a TCO should not be extended.
- Goods will be taken to be described in terms other than in generic terms if, for example, their description, either directly or by implication, indicates that they are goods of a particular brand or model, or that a particular part number applies to the goods.
- (d) Guidance on the drafting of the description of goods is contained in Volume 13 of the ACS Manual and in Australian Customs Notice No. 98/19.

Describe the goods

Controller, ducted heater, having all of the following;

- resistors;
- electronic switches;
- protective mounting plate;

ILLUSTRATIVE MATERIAL

- 2 Attach technical, illustrative descriptive material and/or a sample to enable a full and accurate identification of the goods the subject of the application.

TARIFF CLASSIFICATION

- 3 Identify the tariff classification (to 8 figure subheading level) 8537.10.90
Identify the General Duty rate 5 %
If a Tariff Advice for the goods has been sought or obtained, please provide the TA No.
or attach a copy.

USES OF THE IMPORTED GOODS

- 4 Describe ALL uses (including design uses) to which the goods can be put.

utilised to control gas heaters.

SUBSTITUTABILITY OF LOCALLY PRODUCED GOODS

- (a) Local manufacturer's goods are substitutable when they are put, or are capable of being put, to a use that corresponds with a use (including a design use) to which the goods the subject of the application can be put (subsection 269B(1) of the Customs Act 1901). If not identical, locally made goods may be substitutable.
- (b) In determining whether the uses of Australian produced goods correspond with the uses of the goods the subject of the application, the ability of the goods to compete with each other in any market is not relevant.
- (c) The applicant must provide written information as to the inquiries made to establish that there are reasonable grounds for believing that there are no producers of substitutable goods in Australia. The application must include a copy of the research material sourced and a copy of correspondence to, and replies from, potential local manufacturers or relevant industry associations. The application will be rejected if it fails to provide all written information as to the inquiries made.

NOTE: The Australian Customs Service suggests that potential local manufacturers should be given at least 10 working days to respond to inquiries concerning local manufacture.

- 5 Provide details of the nature of ALL inquiries you have undertaken in order to establish that substitutable goods are not produced in Australia, and the results of those inquiries. Attach copies of all correspondence or directory searches, etc.

Kompass search with no hits

- 6 Provide any additional information in support of discharging your responsibility to establish that there are reasonable grounds for asserting that there are no substitutable goods produced in Australia in the ordinary course of business.

Substitutable goods already covered by TC 0928147

PRESCRIBED ORGANISATIONS

7 Have you made inquiries of a prescribed organisation to obtain advice about whether there are producers in Australia of dutiable goods?

NO YES If YES, attach a copy of the advice received.

Note that under subsection 269M(6) of the Customs Act 1901, the CEO may, despite section 16 of the Customs Administration Act 1985, give a copy of all, or of a part, of the application to a prescribed organisation.

ADDITIONAL INFORMATION

8 Provide any additional information in support of your application.

DECLARATION

s47F	Position Held Consultant
Company (if applicable) Tradewin C/- Expeditors International	
declare that: <ol style="list-style-type: none"> To the best of my knowledge and belief the information contained in this form is correct; and I have the authority to act on behalf of the company/applicant; and I agree, in submitting this form by electronic means (including facsimile) that, for the purposes of Sub-Section 14(3) of the Electronic Transactions Act, this application will be taken to have been lodged when it is first received by an officer of Customs, or if by e-mail, when it is first accessed by an officer of Customs, as specified in Sub-Section 269F(4) of the Customs Act. 	
Signature of Applicant/Agent/Broker s47F	Date 22 nd October 2009

NOTE: SECTION 234 OF THE CUSTOMS ACT 1901 PROVIDES THAT IT IS AN OFFENCE TO MAKE A STATEMENT TO AN OFFICER THAT IS FALSE

IN A MATERIAL PARTICULAR.

WHEN THIS FORM HAS BEEN COMPLETED LODGE IT WITH CUSTOMS BY:

- posting it by prepaid post to:
National Manager, Tariff Branch
Australian Customs Service
Customs House
5 Constitution Avenue
CANBERRA ACT 2601
or
- delivering it to the ACT Regional Office located at
Customs House, Canberra
or
- sending it by facsimile to (02) 6275 6376
or
- e-mailing it to tarcon@connect.net.au.

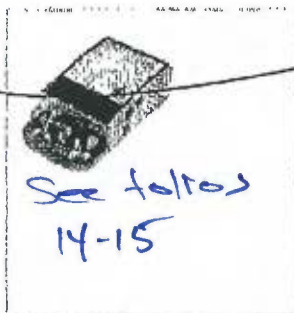
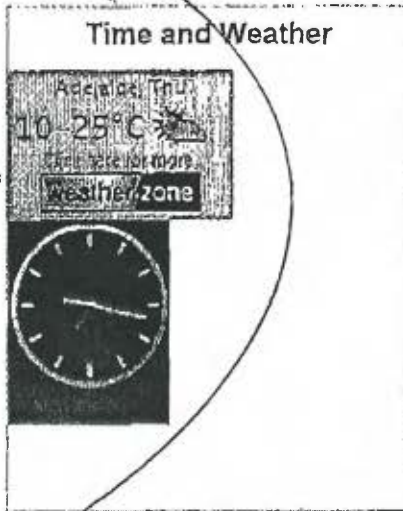
Heating, Ventilation & Air Conditioning >

Gas Heaters Controls

Tytronics has extensive experience with the controls used with gas heaters. Those controls are a microcontroller based devices which have the following features:

This is a generic picture. See folio 11

- Single Electrode Electronic Pilot Flame Management
- High Voltage Spark Ignition or Hot Surface Ignition
- Safety monitoring and lockout
- Variable/Fixed Speed & Fan Delay Control
- Electronic Flame Rollout Management
- Support for Cooling Mode Operation
- EN298 compliant



See folios 14-15

HCCA621 Gas Heater Controller

The HCCA621 Gas Heater Controller is designed for use with atmospheric burner gas heater of the intermittent pilot type. The unit is a single PCB assembly with an integral aluminium heatsink. The HCCA621 controls a gas valve in accordance with BS EN298 and a variable speed PSC motor up to 650W (single, two or three speed versions available)

more >



See folio 12

TEK 321FA Gas Heater Controller (Carrier)

This product was proudly developed by Tytronics and is manufactured exclusively for Carrier Australia

For more information please contact

Carrier Australia

more >

Latest News

Tytronics launches the new Website 20 Apr 2009 [More Info](#)

Tytronics at KBIS 06 Apr 2009 [More Info](#)

Latest Products

Integrated Re-ignition Switch (IRIS 120W-1)

compact/cooktop)

Direct valve mounted Re-igniter with integrated switch – Interrupted Direct Spark Ignition system for use with

[More Info](#)



See folio 13
Model TEK 503R



JPM
MEDIA PTY LTD

ARE YOU LOOKING?
ARE YOU SEARCHING?

With a global business database,
niche market directories and
your local business advertisers,
JPM Media has a customized
solution for your business needs.

CALL 1300 550 470
info@jpmmedia.com.au

User: s47F logged in [Logout]

HOME | ABOUT JPM MEDIA | CONTACT US | FEEDBACK

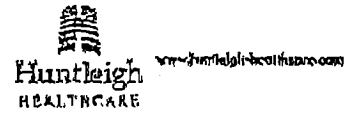
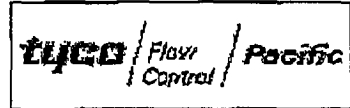
Kompass Australia Database Search Results

Home :: Kompass Australia :: Search Again :: Search Results

Filter By: Sort

By: Advertiser

No results found! Please refine your search criteria and try again.



- ANZIDECC
- HOSPITAL & HEALTH
- AUSTRALIAN EXPORTERS
- KOMPASS
- INDEPENDENT SCHOOLS
- SHOPLOCAL PAGES
- REGISTER NOW
- DIRECT MARKETING
- ADVERTISING
- ADMINISTRATION

Terms & Conditions | JPM Media Pty Ltd. / Copyright © JPM Media 2009 / ABN 55 120 718 783

5



JPM
MEDIA PTY LTD

ARE YOU LOOKING?
ARE YOU SEARCHING?

With a global business database, other market directories and your local business advertising, JPM Media has a customized solution for your business needs.

CALL 1800 555 470
enq@jpmmedia.com.au

- ANZIDBCC
- HOSPITAL & HEALTH
- AUSTRALIAN EXPORTERS
- KOMPASS
- INDEPENDENT SCHOOLS
- SHOPLOCAL PAGES
- REGISTER NOW
- DIRECT MARKETING
- ADVERTISING
- ADMINISTRATION

User: s47F logged in | [Logout](#)

[HOME](#) | [ABOUT JPM MEDIA](#) | [CONTACT US](#) | [FEEDBACK](#)

Kompass Australia Database Search

[Home](#) :: [Kompass Australia](#) :: Database Search

Location	Business Type	Business Size	Special
<p>Address: (incl. Postal Address)</p> <p>State</p> <p><input type="checkbox"/> NSW <input type="checkbox"/> SA <input type="checkbox"/> VIC <input type="checkbox"/> WA <input type="checkbox"/> QLD <input type="checkbox"/> TAS <input type="checkbox"/> ACT <input type="checkbox"/> NT</p> <p><input type="checkbox"/> All States</p> <p>Region: <input type="text" value="Queensland"/></p> <p>Postcode: <input type="text"/></p>	<p>Business Category: (Expand List)</p> <p>Any Product <input type="text" value="Accounting"/></p> <p>Select Product Codes: (Clear)</p> <p>Product Keywords <input type="text" value="gas heater controllers"/></p>	<p>Staff # <input type="text" value="0"/> - <input type="text" value="0"/></p> <p>Turnover \$ <input type="text" value="0"/> - <input type="text" value="0"/></p> <p>Export Revenue \$ <input type="text" value="0"/> - <input type="text" value="0"/></p>	<p>Company Name: <input type="text"/></p> <p>Keywords: <input type="text"/></p> <p>Export Areas: (Expand List)</p> <p>Any Accounting <input type="checkbox"/></p> <p>Bank: (Expand List)</p> <p>Any ANZ Anyre Australia Limited <input type="checkbox"/> Adelaide Bank Limited <input type="checkbox"/></p> <p>Job Title: (Expand List)</p> <p>Any Account Director <input type="checkbox"/> Account Executive <input type="checkbox"/></p> <p>Your selection automatically defaults to the company's prime contact if your chosen job title is not available. If you want only your selected titles click here.</p> <p>Brand: <input type="text"/></p>
<p>Filter By: <input checked="" type="checkbox"/> Importer <input type="checkbox"/> Exporter <input type="checkbox"/> Exporter & Importer <input type="checkbox"/> Quality Rated <input type="checkbox"/> Has website <input type="checkbox"/> Top 1000 <input type="checkbox"/> Has Contact Person</p> <p style="text-align: right;"><input type="button" value="Clear"/> <input type="button" value="Search"/></p>			

[Terms & Conditions](#) | JPM Media Pty Ltd, / Copyright © JPM Media 2009 / ABN 55 120 718 783



Australian Government
Australian Customs Service

Reply to the Chief Executive Officer

Quote: TC 0939751
Your Ref: controllers

Australian Customs Service
Customs House
5 Constitution Avenue
CANBERRA ACT 2601
Ph: (02) 6275 6666
Fax: (02) 6275 6376
Email: tarcon@customs.gov.au

08 January 2010

s47F
EXPEDITORS INTERNATIONAL PTY. LIMITED
PO BOX 1026
TULLAMARINE VIC 3043

Dear s47F,

TARIFF CONCESSION SYSTEM
APPLICATION SUCCESSFUL

I refer to your application for Tariff Concession Order (TCO) Number TC 0939751 lodged on 22 October 2009.

As a delegate of the Chief Executive Officer I am satisfied that the application meets the core criteria on the basis of section 269C of the *Customs Act 1901* and have accordingly made a written Tariff Concession Order.

The decision to make a TCO will be published in Gazette Number TC10/02 of 13 January 2010.

The TCO, as detailed in the attachment, will also be published in the Schedule of Concessional Instruments as soon as possible.

Yours sincerely,

s47F

Delegate of the Chief Executive Officer

TARIFF CONCESSION ORDER

Under Section 269P of the Customs Act 1901, I, s47F, a delegate of the Chief Executive Officer declare that the goods specified in Column 1 of THE TABLE are goods to which the item in Part III of Schedule 4 to the Customs Tariff Act 1995 specified in Column 2 of THE TABLE applies. This Order shall have effect from 22.10.09 and continue in force until revoked under sections 269SC or 269SD of the Act, or the date, if any, specified in Column 2.

THE TABLE

COLUMN 1		COLUMN 2
Description of Goods including the	Customs Tariff Classification	Schedule 4 Item Number Last date of effect
8537.10.90	CONTROLLERS, DUCTED HEATER, with or without protective mounting plates, having BOTH of the following: (a) resistors; (b) electronic switches Op. 22.10.09	50 - TC 0939751

s47F [Redacted Signature]

This is page 1 of 1 Page of the above Table.

Dated 08 January 2010

.....
Delegate of the Chief Executive Officer

**MINUTE PAPER
CENTRAL OFFICE**

TR5

TC Number 0939751

Please provide a Tariff Classification for the goods subject of this Tariff Concession application

TC Officer: s47F

OP Date: 22-Oct-09

APPLICANT: Tytronic Development Australia Pty Ltd

GOODS: Heater Controller

Level 4 Officer: _____ Date: _____

CLAIMED CLASSIFICATION: 8537.10.90

Date to Classification Section: 02-Nov-09

Required Return Date: Date to Class plus 3 06-Nov-09

TA No. & CLASSIFICATION: 19436900 8537.10.90

CLASSIFICATION DECISION:

8537	10	90
------	----	----

 ✓

IS TCO RESTRICTED BY REG. 185? No GENERAL DUTY RATE:

5%

IDENTIFICATION OF GOODS: Gas heater controllers

HEADINGS CONSIDERED: 8537

COMMENTS AND CHAPTER NOTES: Classification decision assistwed by TA 19436900

IDM describes the goods as Gas Heaters Controls. There are three different models of controls (HCCA621, TEK 321FA, TEK503R), two of which are manufactured by Tytronics exclusively for 'Carrier' brand heating systems. These controls are microcontroller based and allow control of a heating system's; fan speed, pilot flame and spark ignition, safety lockup capability. Classifying these goods to heading 8537 satisfies IR1. As these controls are designed for systems with a voltage exceeding 1000V (see IDM), the goods are further classified to 8537.10. TOMS 16 and 17 illustrates a distinction between programmable controller and controls which are pre-programmed. The gas heater controls in question incorporate controls which are pre-programmed. Therefore, the classification of the goods is 8537.10.90 and addresses IR6- other control apparatus.

RETURNED TO TARIFF CONCESSIONS BY:
NAME & DATE: s47F _____

9/11/09.
Check s47F

Broker Information

Tariff Advice Number : 19436900

Date Lodged : 11/06/2009

s47E(d)



Changed Status :
Decision Officer : s47F
File Number :

Date :
Precedent :

Code :
Phone : s47F



HCCA621 HEATER CONTROLLER

Intermittent pilot type heater controller

For gas appliances

The HCCA621 is designed for use with atmospheric burner gas heaters of the intermittent pilot type. The unit is a single PCB assembly with an integral aluminium heatsink. The HCCA621 controls a gas valve in accordance with BS EN298 and a variable speed PSC motors up to 650W (single, two or three speed versions available).

It is a micro-controller based device with the following features:

- Single electrode electronic pilot flame management
- High voltage spark ignition
- Safety monitoring and lockout
- Room fan variable speed & fan delay control
- Electronic flame rollout management
- Support for cooling mode operation
- Enable/disable using security code
- EN298 compliant

Operation

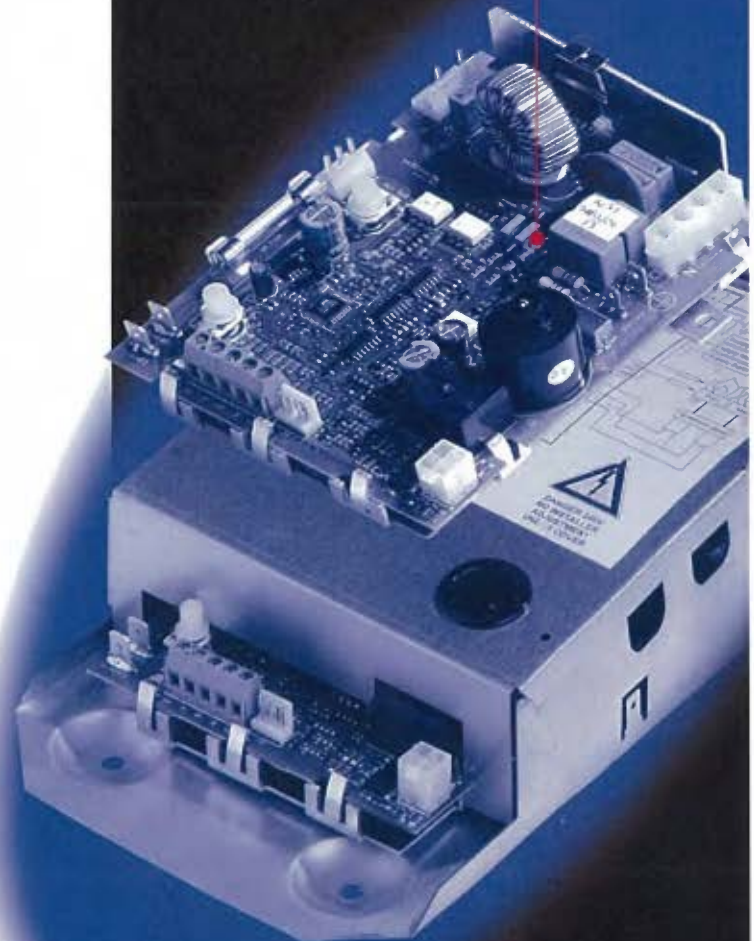
The controller uses electronic pilot flame detection with high voltage ignition to safeguard the pilot flame. When a heat cycle is started, if the pilot flame is established and proven by the igniter within the flame establishment time, the main valve is energised and the igniter spark stops. Once the main valve is energised any subsequent flame loss results in immediate shutdown of the main valve.

During normal cyclic operation a fan delay period and controlled fan speed provides a comfortable air temperature from the heater. At the start of a heat cycle the Fan-On Delay allows the heat exchanger to reach operating temperature before the fan operates. A Fan-Off Delay allows for stored heat in the heat exchanger to dissipate before the fan goes off.

The fan speed is adjustable via a low voltage pot mounted on the HCCA621. A separate pot is included to allow factory pre-set of the minimum adjustment range of the fan speed control pot. Both Fan and Cool switch inputs are provided for heaters configured for cooling or vent operation. These inputs detect the status of externally fitted switches and select the maximum fan speed.

The electronic rollout flame detection shuts down the gas. A timer prevents immediate re-start once the rollout condition clears. If any subsequent flame rollouts occur within a specified period after the first has been cleared the controller locks out.

An over-temperature input is energised via an external overheat switch and supplies power to the gas valve. If the overheat switch opens the gas is immediately shut down and a timeout at maximum fan speed is initiated to cool the heat exchanger. The controller provides status and diagnostic information directly through the use of an LED indicator.



Creating HVAC controls for comfortable climate systems

HCCA621 HEATER CONTROLLER
Intermittent pilot type heater controller
For gas appliances

Specification

Number of outlets

1

Motor supply voltage

240VAC +10/-15% 50Hz (120 v ac 60 Hz version available)

Low voltage source

24V +/-20% 2A max (external transformer)

Fan load

6 A (Max) or fixed speed 1HP @ 120VAC, 2HP @ 240VAC

Valve current

0.8A Max RMS each pilot and main

Flame current

1.0uA recommended minimum

Detection limit - pilot

0.2 uA

Detection limit - rollout

0.2 uA

Flame sense source voltage

240V

Spark voltage

15kV (Min)

Spark gap

2-4mm

Flame detection

Rectification Type

Over temperature protection

External Bi-metal Switches

Operating temperature range

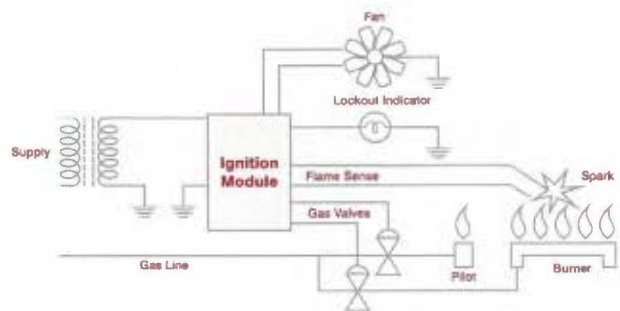
0-85°C

Compliance

EN 298: 2003, AS/NZS 4556: 2000



The unit has been designed for use with Atmospheric Burner gas heaters of the Intermittent Pilot type.



TYTRONICS Pty Ltd
 ABN 22 007 914 374

Note: Specifications subject to change without notice. Tytronic provides customer assistance in varied technical areas. Since Tytronic does not possess full access to data concerning all the uses and applications of the customer's product, responsibility is assumed by Tytronic neither for customer product design nor for any infringement of patents or rights of others from Tytronic assistance.



Australia

12 Circuit Drive
 Hendon South Australia 5014
 Phone : +618 8243 4000
 Fax : +618 8268 2503
 Email : sales@tytronic.com.au
 Website : www.tytronic.com.au

United States of America

Products for Industry
 4917 San Jacinto Circle W.
 Fallbrook, California 92028
 Phone : +760 731 2440
 Fax : +760 731 9427
 Email : dennis.dacey@sbcglobal.net

Europe

Treci s.r.l.
 Via C. De Cristoforis, 13
 20124 Milano, Italy
 Phone : +39 02 659 9790
 Fax : +39 02 657 2912
 Email : info@treci-comp.it

CS



[Heating, Ventilation & Air Conditioning](#) > [Gas Heaters Controls](#) >

TEK 503R Gas Heater Controller (Carrier)

This product was proudly developed by Tytronics and is manufactured exclusively for [Carrier Australia](#).

For more information please contact [Carrier Australia](#).

[< Back to Gas Heaters Controls](#)



[Heating, Ventilation & Air Conditioning](#) > [Gas Heaters Controls](#) >

TEK 321FA Gas Heater Controller (Carrier)

This product was proudly developed by Tytronics and is manufactured exclusively for [Carrier Australia](#).

For more information please contact [Carrier Australia](#).

[< Back to Gas Heaters Controls](#)

11



0 4

0

0